

⑫ **EUROPEAN PATENT APPLICATION**

⑰ Application number: **82111598.7**

⑤① Int. Cl.<sup>3</sup>: **C 01 B 3/04**

⑱ Date of filing: **14.12.82**

⑳ Priority: **21.09.82.**

④③ Date of publication of application:  
**28.03.84 Bulletin 84/13**

⑧④ Designated Contracting States:  
**AT BE CH DE FR GB IT LI LU NL SE**

⑦① Applicant: **Meyer, Stanley A.**  
**3792 Broadway**  
**Grove City Ohio 43123(US)**

⑦② Inventor: **Meyer, Stanley A.**  
**3792 Broadway**  
**Grove City Ohio 43123(US)**

⑦④ Representative: **Wasmeier, Alfons, Dipl.-Ing. et al,**  
**Postfach 382 Greffingerstrasse 7**  
**D-8400 Regensburg(DE)**

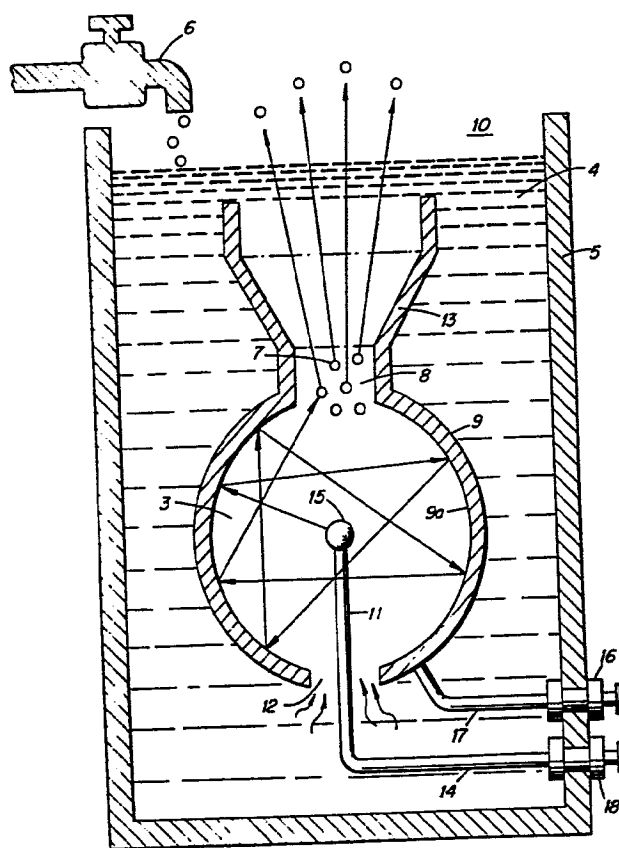
⑤④ **Resonant cavity for a hydrogen generator.**

⑤⑦ A direct current voltage exciter for utilization in a non-electrolysis process and apparatus for separating hydrogen/oxygen gas from water. The non-oxidizing exciters comprise a plate structure with negative potential applied to one such exciter plate and a positive potential applied to the other. The spacing between plates comprises a resonant cavity to a particular frequency. The direct current voltage is pulsed at a repetition rate that matches the frequency of the resonant cavity. The sub-atomic action of the direct current voltage on the plates is enhanced considerably by the bombardment of the atoms within the resonant structure. A spherical plate construction is described with alternative structures of a resonant line.

**EP 0 103 656 A2**

./...

FIG. 1



RESONANT CAVITY FOR A HYDROGEN GENERATOR

## 1 CROSS REFERENCE:

2 In the non-electrolysis process disclosed and claimed in  
3 my co-pending <sup>US</sup> patent application, Serial Number: 06/302,807,  
4 Filed: September 16, 1981, For: HYDROGEN GENERATOR SYSTEM, for  
5 separating hydrogen and oxygen atoms from water, water is passed  
6 between two plates of similar non-oxidizing metal. The one  
7 plate has placed thereon a positive potential and the other a  
8 negative potential from a very low-direct-current power source.  
9 The sub-atomic action of the direct current voltage causes the  
10 hydrogen and oxygen atoms to be separated. The contaminants in  
11 the water are forced also to disassociate itself and may be  
12 collected or utilized and disposed of. This in turn lends the  
13 process to recombining the hydrogen and oxygen into pure water.

14 The direct current voltage applied to the plates is non-  
15 regulated and non-filtered. The direct current acts as a static  
16 force on the water molecules; whereas the rippling direct current  
17 voltage acts as a dynamic force. Pulsating the direct current  
18 further acts as a dynamic force and enhances considerably the  
19 splitting of the atoms from the water molecules. An increase  
20 in voltage potential further increases the hydrogen output.

21 Certain plate arrangements and configurations with graphical il-  
22 lustrations of relative efficiency are disclosed.

1           In my co-pending patent application, supra, it was shown  
2 the hydrogen gas generator is variably increased by varying the  
3 construction of the exciters; more particularly, by (1) in-  
4 creasing the area of the plates, (2) reducing the space between  
5 the plates, and (3) altering the physical configuration of the  
6 plate.

7 SUMMARY OF INVENTION:

8           The basic structure of and principals of operation of the  
9 aforesaid co-pending patent application are utilized. The non-  
10 oxidizing exciters are of a construction, spherical in a pre-  
11 ferred embodiment, with a given spacing between the positive and  
12 negative elements to form a resonant cavity at a given frequency.  
13 The direct current voltage is pulsed at a repetition rate (fre-  
14 quency) to match the resonant wavelength.

15           At the matched frequency the sub-atomic action of the pulsed  
16 direct current voltage is enhanced considerably. The forceful  
17 action on the water molecule causes the molecules to be bom-  
18 barded and break into its atomic structure at a much more rapid  
19 rate; thereafter, the gas atoms are set into motion within the  
20 resonant cavity, thereby increasing velocity to a jet-like action  
21 as they are released from a port.

22           The single resonant cavity has a controlled size port for  
23 the utilization of the high velocity gasses.  
24  
25

1           The resonant cavity plate structure in a preferred ar-  
2 rangement is an array of elements. The gasses emitted from  
3 the array are combined and expelled as high velocity gasses  
4 from a common nozzle and utilized.

5 OBJECTS:

6           It is a principal object of the present invention to  
7 provide an improved structure that enhances the separation of  
8 hydrogen/oxygen gasses from water.

9           A further object of the present invention is to provide  
10 such a structure that enhances the sub-atomic action in a non-  
11 electrolysis process.

12           Another object of the present invention is to provide  
13 such a structure wherein the sub-atomic action is controlled.

14           Another object of the present invention is to provide  
15 such a structure wherein the velocity of the gasses released  
16 by a sub-atomic action are increased considerably.

17           Other objects and features of the present invention will  
18 become apparent from a detailed description of the invention  
19 when taken in conjunction with the drawings in which:

## 1 BRIEF DESCRIPTION OF DRAWINGS:

2 Figure 1 is a schematic illustration of the structure of  
3 the present invention in its most simplified arrangement.

4 Figures 2, 2A, and 2B, are a series of waveforms illus-  
5 trating the pulse rate of the direct current to match the reso-  
6 nant frequency of the structure of Figure 1.

7 Figure 3 is a schematic illustration of the utilization  
8 of the structure of Figure 1.

9 Figure 4 is a first alternative structure to that shown  
10 in Figure 1.

11 Figure 5 is another alternative structure to that shown  
12 in Figure 1.

13 Figure 6 is another alternative structure to that shown  
14 in Figure 1.

15 Figures 7 and 7A are an array of exciters, such as shown  
16 in Figure 1, in a preferred embodiment.

17 Figure 8 is an array of exciters, such as shown in  
18 Figure 3, in a preferred embodiment.

## 1 DETAILED DESCRIPTION OF INVENTION:

2 Reference is now made to the several figures depicting the  
3 preferred embodiment of the present invention. With particular  
4 reference now to Figure 1, illustrating the mechanical schematic  
5 in a most simplified form of the invention, the housing 10 is a  
6 sphere having a gas expulsion opening 8 in its uppermost region,  
7 and a gas guide 13 flared out from the opening 8.

8 Centrally positioned within the sphere 10 is another sphere  
9 15 of much smaller diameter. The outer shell 9 of the sphere is  
10 the grounded negative side. That is, the negative side of a  
11 direct current potential is applied via terminal 16 to the outer  
12 shell 9. To the inner element 15, the direct current positive  
13 potential is applied thereto via terminal wire 18 extended through  
14 a support element 11 entering the housing shell 9 through water  
15 intake opening 12. The negative potential via terminal 18 is con-  
16 nected to the sphere 9 via terminal 16 and wire 17.

17 The vessel/housing 5 contains water 4, replenished by  
18 faucet 6, at a level above the entire structure. The water 4  
19 is drawn into the outer sphere 9 through the lower opening 12.

20 As described in my aforesaid patent application the direct  
21 current electrical potential is in the nature of a physical force  
22 on the water molecule. The sub-atomic action causes the water  
23 molecule to break up into its atomic structure -- two parts hy-  
24 drogen and one part oxygen gas will be liberated from the water.  
25 Also other gasses, such as nitrogen, that may be entrapped therein  
26 will be released.

1           In that the aforesaid process is not an electrolysis  
2 process, water of any origin may be used, irrespective of the  
3 contaminant content. In the process, as the gasses are released  
4 the contaminants will be separated and fall to the bottom of  
5 the container.

6           Again, since the process does not in fact generate hydrogen  
7 but simply releases the hydrogen, the process is most efficient.  
8 The hydrogen released is much greater than the energy expended.  
9 Accordingly, the direct current voltage/potential is of extremely  
10 low voltage and only of an insignificant current.

11           There is described in the process of my co-pending patent  
12 application apparatus and methods for increasing the output  
13 of hydrogen for a given voltage/potential input. For instance  
14 plate spacing and plate area are discussed; pulsing the direct  
15 current and applying an unfiltered direct current all in one  
16 manner or another enhances the release of hydrogen. Increasing  
17 the voltage/potential will increase the gas output proportionally.

18           In each of the apparatus or methods for increasing the  
19 output, the physical force applied to the water molecule is the  
20 controlling factor. It can be appreciated that limitations may  
21 be reached in the control of these dynamic and static forces.

22           In the present invention, the preferred embodiment utilizes  
23 in one manner or another, all of the aforementioned output con-  
24 trol factors and is directed primarily to pulsing the direct  
25 current potential.



1           It has been found that the distance between plates of the  
2 excitors will have, or can be adjusted to have, a wavelength or  
3 partial wavelength, or a multiple wavelength, related to the  
4 motion of the water molecule in traveling from the one plate to  
5 the other. Therefore, the structure is constructed to be a re-  
6 sonant cavity at some given frequency of the molecular motion.

7           With specific reference again to Figure 1, the distance  
8 from the outer surface of the central element 15 to the inner  
9 surface 9a of the outer spherical element 9 will be at some wave-  
10 length to the molecular motion of travel. When the wavelength  
11 is matched with a physical force equal in frequency to that  
12 wavelength the inner area becomes a resonant cavity and the water  
13 molecule will forcefully be driven repetitively. As understood  
14 in resonant cavities of an electron nature, the molecules are  
15 set into motion and will bombard back and forth from the one  
16 surface to the next continuously so long as the initial force is  
17 applied.

18           In the sphere of Figure 1, the direction that the water  
19 molecules may travel from the inner sphere 15 to the surface 9a  
20 of the outer sphere 9 is of an infinite number. Considering a  
21 single molecule, the water molecule's motion will under normal  
22 conditions be impeded by the water. If the distance between the  
23 inner and outer sphere is of a wavelength related to the fre-  
24 quency of the pulsating direct current applied to the water,  
25 the water molecule will be set in motion and thereafter enhanced  
26 in motion in the resonant cavity 3 and exceed the impediment of  
27 water.

1 Further, the molecule upon striking the inside surface of  
2 the outer sphere, will be reflected and directed to an angular  
3 surface where it again will be reflected. This action continues  
4 indefinitely and will continue until the applied energy is ter-  
5 minated. Thus, a resonant cavity causes the water molecule to  
6 travel back and forth continuously and at a velocity that in-  
7 creases geometrically.

8 The above-noted single molecule motion of travel will be  
9 further increased in velocity when it is considered that the  
10 number of water molecules is infinite and the striking force is  
11 not only from surface-to-surface but also from molecule-to-  
12 molecule.

13 The enhanced physical action on the water molecule in the  
14 resonant cavity 3 will directly affect the breaking up of the  
15 molecule into its gaseous atomic structure. As this occurs the  
16 hydrogen, oxygen, and other gasses that may be released from the  
17 water will be similarly set into motion. The gas atoms will be  
18 reflected from the surface 9a and bombard each other in geometric  
19 proportion to the energy applied. The water impediment now is  
20 relatively insignificant.

21 With reference to the graph of Figure 2, the direct current  
22 input voltage a is pulsed at a repetition rate, as shown by wave-  
23 form b, (per second) equal to the frequency of the resonant  
24 cavity 3.

1 To enhance the forceful action of the applied pulsed direct  
2 current voltage/potential on the water molecule and the sub-  
3 atomic action for the release of gasses, the pulsing of the dir-  
4 ect current is periodically interrupted as shown in the graph  
5 of Figure 2A. That is, the pulse frequency and pulsed direct  
6 current  $c, c_1, \text{ and } c_2$  is interrupted in uniform intervals  $d_1$   
7  $d_2, \text{ and } d_3$ . Again, the pulsed direct current may be aperiodi-  
8 cally interrupted. That is, the interruption between pulses  
9  $c, c_1, c_2, \text{ and } c_3 \dots$  is for different time periods:  $e_1, e_2 \text{ and } e_3$ .

10  
11 Returning to Figure 1, an opening 8 is provided in the  
12 uppermost portion of the outer sphere 9 of the resonant cavity 3  
13 structure. The travel of the gas atoms 7 bombarding back and  
14 forth in the resonant cavity 3 will eventually pass through the  
15 opening 8. However, the movement of the gas atoms 7 has been  
16 enhanced as aforesaid and when they pass through the opening 8  
17 they are at an extremely high velocity. That is, the motion of  
18 the gas atoms 7 will pass out of opening 8 as though they are  
19 jet propelled.

20 The structure of Figure 1 is that of a sphere 9 with a-  
21 nother sphere 15 positioned therein. The spacing between the  
22 outer surface of the inner sphere 15 to the inner wall 9a of  
23 sphere 9 provides a resonant cavity to a given frequency of the  
24 physical force of the direct current voltage. Other resonant  
cavities may be utilized in other arrangements.

1           In Figure 3 the resonant cavity structure 20 is utilized  
2 in a first completed self contained embodiment. Water 4 is en-  
3 tered via nozzle 19 directly into the chamber of the closed  
4 sphere 9.

5           The structure of Figure 3 is substantially identical in  
6 operation to that of Figure 1. However, in this embodiment,  
7 the opening 8 and nozzle 2 size is of a controlled diameter.  
8 The velocity of the gasses being expelled determines the port of  
9 the nozzle 2. That is, the port in the nozzle 2 must be suf-  
10 ficiently large to permit an adequate amount of gas to be ex-  
11 pelled to maintain a flame. However, the port in the nozzle 2  
12 must not be enlarged to wherein the velocity of the gasses  
13 expelled would be so great that combustion cannot be sustained.  
14 The direction of the high velocity gasses is controlled by guide  
15 13. The gasses 7 may be ignited by igniter 25 or utilized dir-  
16 ectly in another manner.

17           The resonant cavities of Figures 1,3, and 7 are related to  
18 the spacing between an outside and an inside spherical structure  
19 comprising a resonant cavity to the excited elements in a sub-  
20 atomic process. Other configurations particularly those shown  
21 in the aforesaid co-pending patent application, may be constructed  
22 or modified to be resonant cavities. The resonant cavities will  
23 enhance the release of the gasses in the sub-atomic action, ir-  
24 respective of its configuration. However, which structure is  
25 most productive may be related to its utilization in an operable  
26 embodiment.

1 More particularly, the resonant cavity of Figure 4 is an  
2 elongated exciter 31. The spacing between the elements 33 and  
3 36 provide the resonant cavity. The gasses 35 in this embodi-  
4 ment will be jettisoned broadside along the slot 32.

5 In Figure 5 there is illustrated the coaxial exciter ar-  
6 rangement of the preferred embodiment of the aforementioned  
7 co-pending patent application. In this embodiment the spacing 34  
8 between the inner plate 39 and the inner wall of the outer ele-  
9 ment 37 is adjusted to be resonant at a given frequency. The  
10 input direct current is pulsed accordingly. The gasses are  
11 propelled along the longitudinal axis of the elements 37 and 39  
12 and expelled from the end 38 of the exciter.

13 The exciter 40 of Figure 6 is an improvement over the  
14 corrugated surface exciter disclosed in my co-pending<sup>US</sup> patent  
15 application, Serial Number: 06/367/052. In that exciter, the  
16 increased surface area provided by the corrugations and creating  
17 the resonant cavity, thus enhances the sub-atomic action.

18 In the embodiment of Figure 6, the corrugations provide an  
19 enhancement of the sub-atomic action, over that aforesaid, on  
20 the water entering at 44. The spacing 46 between the plate 41  
21 and 42 is such to be resonant at a particular frequency, as  
22 aforementioned. However, instead of a forward direct line  
23 back-and-forth path of the atom flow, the corrugations of the  
24 convex 47 and concave 49 surfaces causes the atoms to move in  
25 forward and backward / back-and-forth path. The increased

1 movement, in turn, increases the sub-atomic action and the vel-  
2 ocity of the flow of gasses 45 omitted from the end of 43 of  
3 the exciter 40.

4 Referring now to Figures 7 and 7A, the structure of Figure  
5 1 is in an array of resonant cavities 50 a xxx n. Specifically  
6 the housing 51 having a water 52 therein includes the array of  
7 exciters, having a positive potential applied to its central  
8 element 53 a xxx n, via terminal 64 and a negative potential to  
9 the outer element 55 a xxx n.

10 The direct current potential is pulsed in a repetitive  
11 frequency, as noted above, to match the frequency of the resonant  
12 cavity. The gasses 54 a xxx n being released from each of the  
13 exciters 50 a xxx n is directed by the guide walls 56 to the  
14 upper chamber 58 wherein the high velocity gasses 54 are accumu-  
15 lated. As the gasses 54 are accumulated the pressure in the  
16 upper chamber 58 increases proportionally.

17 With reference to Figure 3, the port 2 is controlled in size  
18 of opening relative to the velocity of the gasses. If the port 2  
19 is oversize the velocity of the gasses will be so great that a  
20 flame could not be sustained and backfire may occur. Hence the  
21 port size is limited.

22 In Figure 7, the ports 57 a xxx n may be greater in size  
23 than the individual port 2 of Figure 3. The individual outputs  
24 are not utilized to support a flame hence the significance of  
25 limiting the port size and the danger of flashback is not critical.  
26 The outputs from each of the exciters are accumulated as gasses  
27 54 in a master chamber 58.

1           With particular reference now to Figure 8 there is illus-  
2 trated an array of the gas exciters illustrated in Figure 3.  
3 The operation of the individual gas exciters is identical to  
4 that of Figure 3 except that in the array the several gas flames  
5 from the individual exciters are accumulated in chamber 75.

6           Throughout the above specification the term "plate" is  
7 used to denote an element as described. It is specifically un-  
8 derstood that the term plate is not to be limited to a flat or  
9 planar construction, but may be a structure of any configuration.

10           Although certain embodiments are shown, modification may  
11 be had without departing from the spirit and scope of the  
12 invention.

## CLAIMS:

- 1 1. A non-electrolysis process for separating hydrogen and  
2 oxygen gas from water, comprising:  
3 at least a pair of electrically conductive, non-oxidizing  
4 exciter elements, means for maintaining said pair of elements,  
5 spatially positioned for passing water therebetween,  
6 a source of direct current voltage potential having a pos-  
7 itive and negative terminal, and means for connecting one of  
8 said exciter elements to said negative terminal and means for  
9 connecting the other of said exciter elements to said positive  
10 potential,  
11 said spatial position between said exciter elements define  
12 a resonant cavity to a given wavelength, and  
13 means to pulse said direct/current/voltage potential re-  
14 petetively at a frequency matching the wavelength of said reson-  
15 ant cavity.
- 1 2. A non-electrolysis process as set forth in Claim 1 wherein  
2 said exciter elements further comprise a sphere and a second  
3 sphere of substantially smaller size, and  
4 means for maintaining said smaller sphere centrally po-  
5 sitioned within said other sphere,  
6 said spherical element includes a water inlet in the outer  
7 spherical element and another opening therein to permit the  
8 gasses to be expelled therefrom.
- 1 3. A non-electrolysis process as set forth in Claim 1 wherein  
2 said pairs of exciter elements are in an array of identical pairs  
3 of exciter elements.



1 4. A non-electrolysis process as set forth in Claim 3 wherein  
2 said exciter elements in an array of identical pairs of exciter  
3 elements, each further comprising a sphere and a second sphere  
4 of substantially smaller size, and

5 means for maintaining said smaller sphere centrally po-  
6 sitioned within said other sphere, and

7 said means for accumulating the gaseous outputs from  
8 said array of exciter elements into a common chamber.

1 5. A non-electrolysis process as set forth in Claim 4 wherein  
2 said means for accumulating the gaseous outputs from said array  
3 of exciter elements into a common chamber, further comprises an  
4 igniter for igniting the accumulated gasses, and

5 means for utilizing said ignited gasses, and

6 wherein said means for utilizing said ignited gasses  
7 comprises a port size controlled nozzle.

1 6. A non-electrolysis process as set forth in Claim 1 wherein  
2 said exciter elements is in a coaxial arrangement,

3 and, wherein the outside element comprises a longitudinal  
4 slot to provide a side projection output.

1 7. A non-electrolysis process as set forth in Claim 1 wherein  
2 said exciter elements are in a coaxial arrangement,

3 and, wherein said coaxial arrangement is closed at one  
4 end and open at the other end to provide an end projection output.

1 8. A non-electrolysis process as set forth in Claim 1 wherein  
2 said exciter elements are flat plates, and

3 wherein said plates have at least one open end.

1 9. A non-electrolysis process as set forth in Claim 1 wherein  
2 said exciter elements comprise non-planar plates.

0103656

1 10. A non-electrolysis process as set forth in Claim 9 wherein  
2 said non-planar plates comprise a series of corrugated surfaces  
3 and wherein said corrugated surfaces provide a back-and-forth  
4 reflective movement of said atoms.

1 11. A non-electrolysis process as set forth in Claim 2 further  
2 comprising igniter means for igniting the gasses therefrom.

1 12. A non-electrolysis process as set forth in Claim 3 wherein  
2 said array of identical pairs of exciter elements, each further  
3 comprising a sphere and a second sphere of substantially smaller  
4 size.

5 means for maintaining each of said smaller spheres centrally  
6 positioned within said outer sphere,

7 an igniter for igniting the output gasses from each of the  
8 outputs of said spherical elements.

1 13. A non-electrolysis process as set forth in Claim 12 wherein  
2 said exciter elements further comprise a chamber for accumulating  
3 the output flames from each of said exciter elements,

4 an output port for utilizing the combined flame outputs of  
5 said exciter elements.

1 14. A non-electrolysis process as set forth in Claim 4 wherein  
2 the process comprises:

3 a housing having said array of elements positioned therein,  
4 and

5 means for maintaining said water in said housing above a pre-  
6 determined level.

1 15. A non-electrolysis process as set forth in Claim 12  
2 further comprising:

3 a source of water interconnecting each of said exciter  
4 elements for maintaining each of said exciter elements at a  
5 predetermined water level.

1 16. A non-electrolysis process as set forth in Claim 1 wherein  
2 said means to repetitively pulse said direct current voltage  
3 potential further comprises means to periodically interrupt said  
4 pulsing.

1 17. A non-electrolysis process as set forth in Claim 1 wherein  
2 said means to repetitively pulse said direct current voltage  
3 potential further comprises means to aperiodically interrupt  
4 said pulsing.

1 18. A non-electrolysis process as set forth in Claim 1 wherein  
2 said exciter elements are non-oxidizing.

Fig. 1

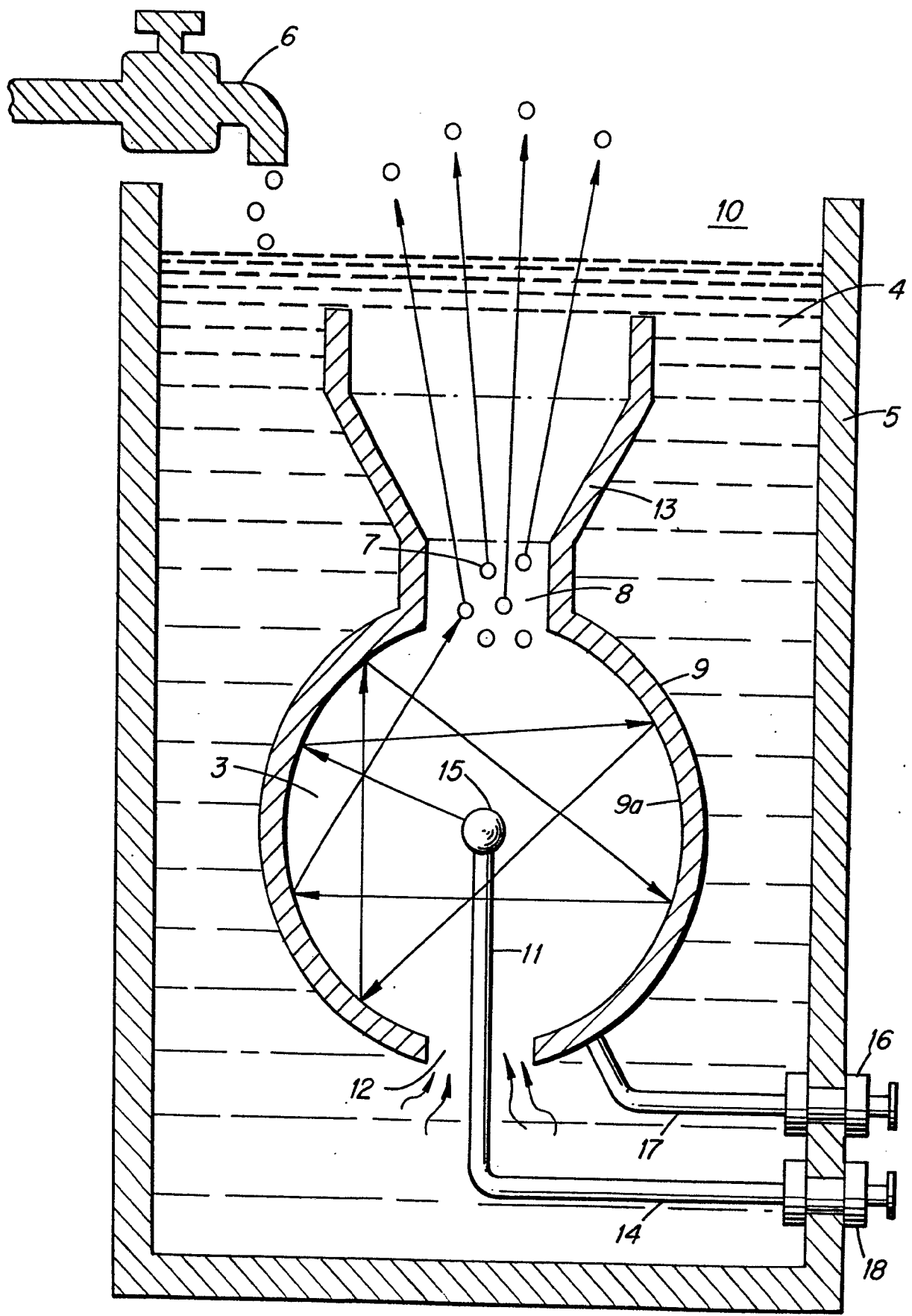


FIG. 2

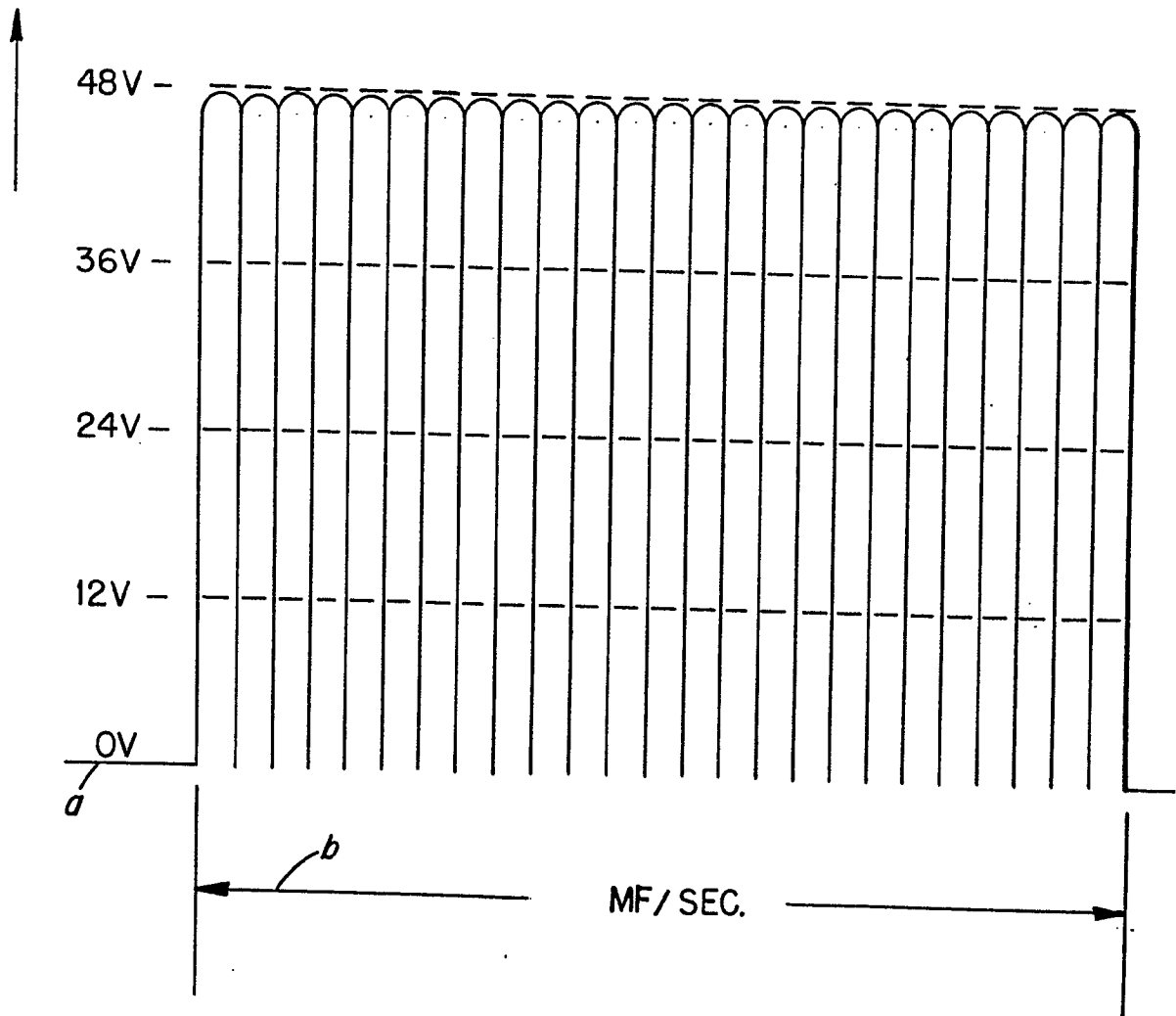


Fig. 2d

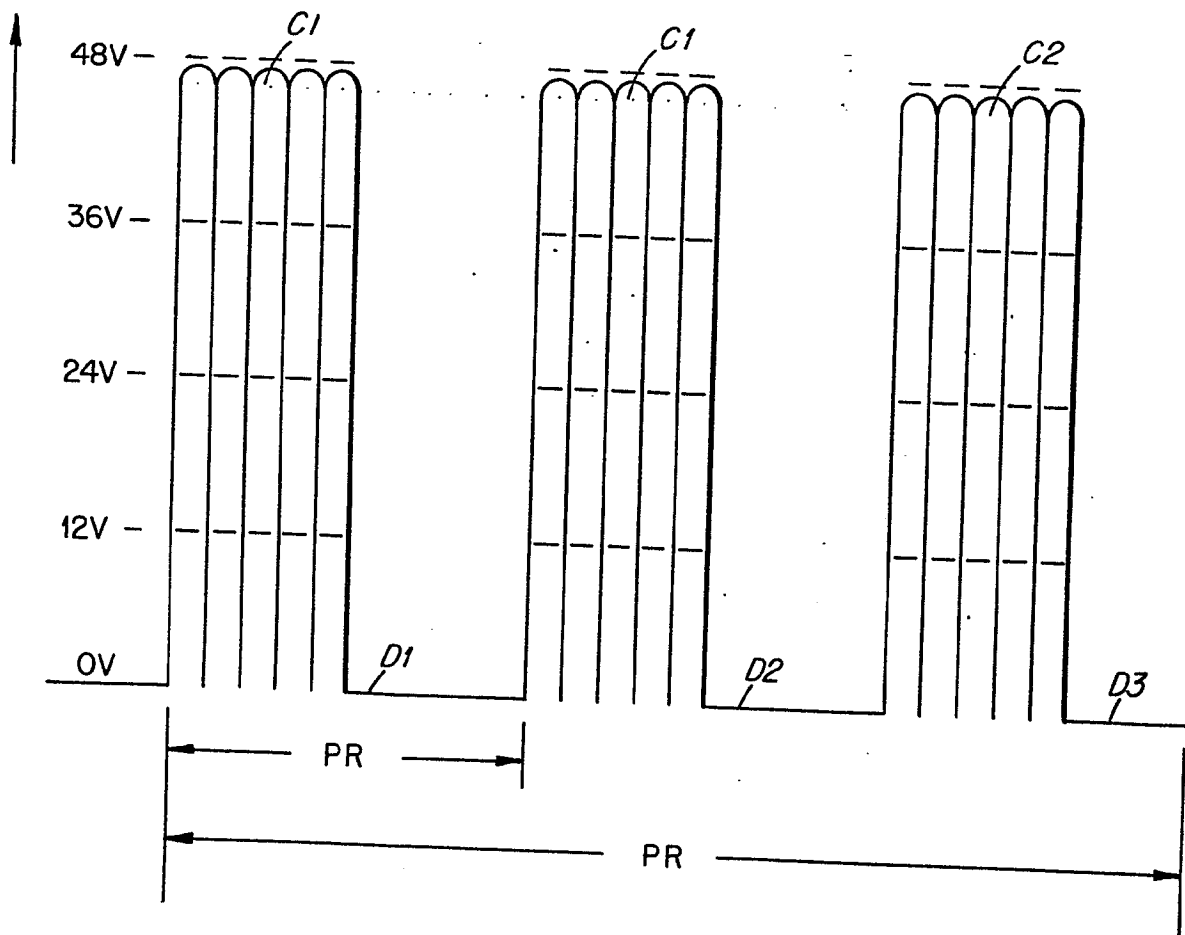


Fig. 2b

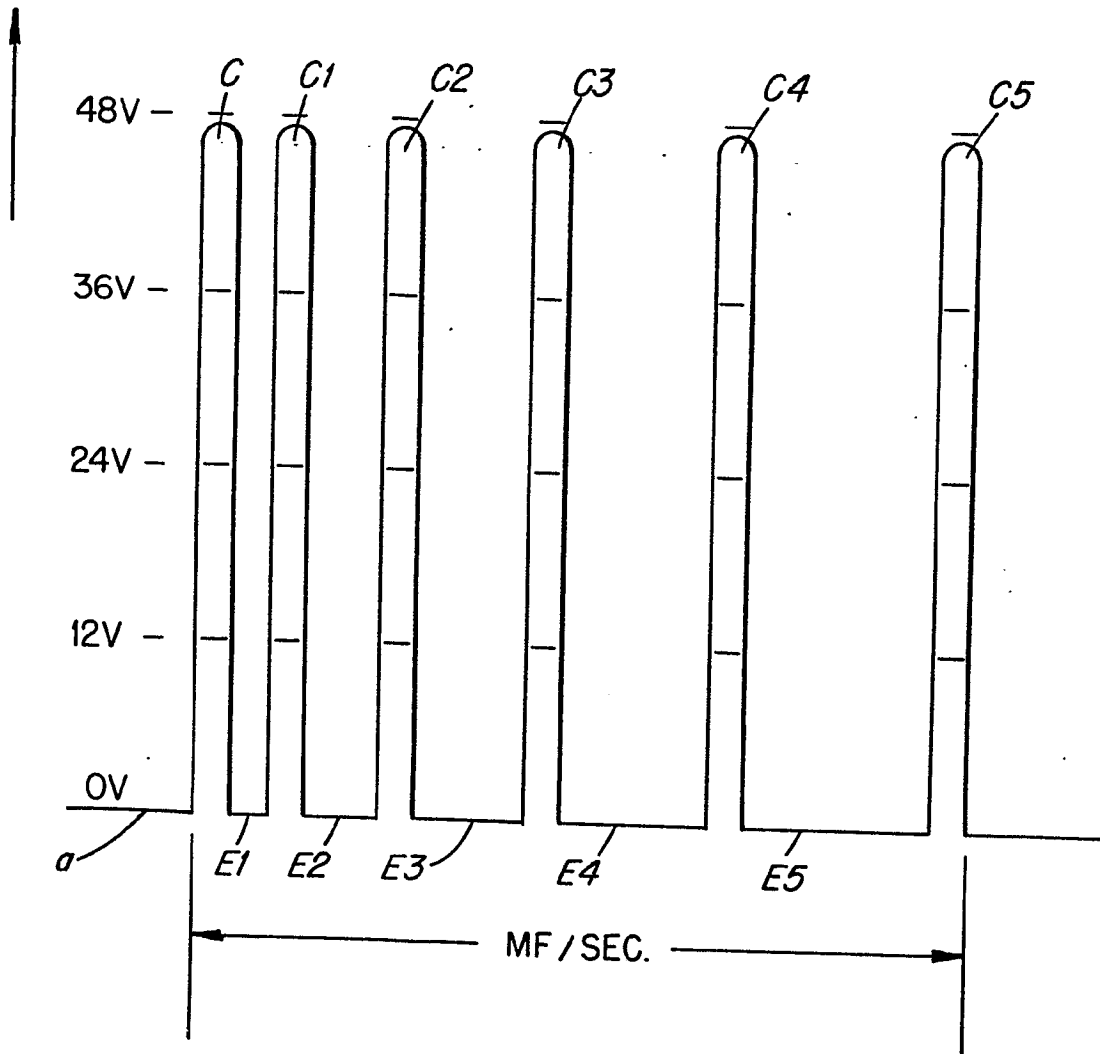


Fig. 3

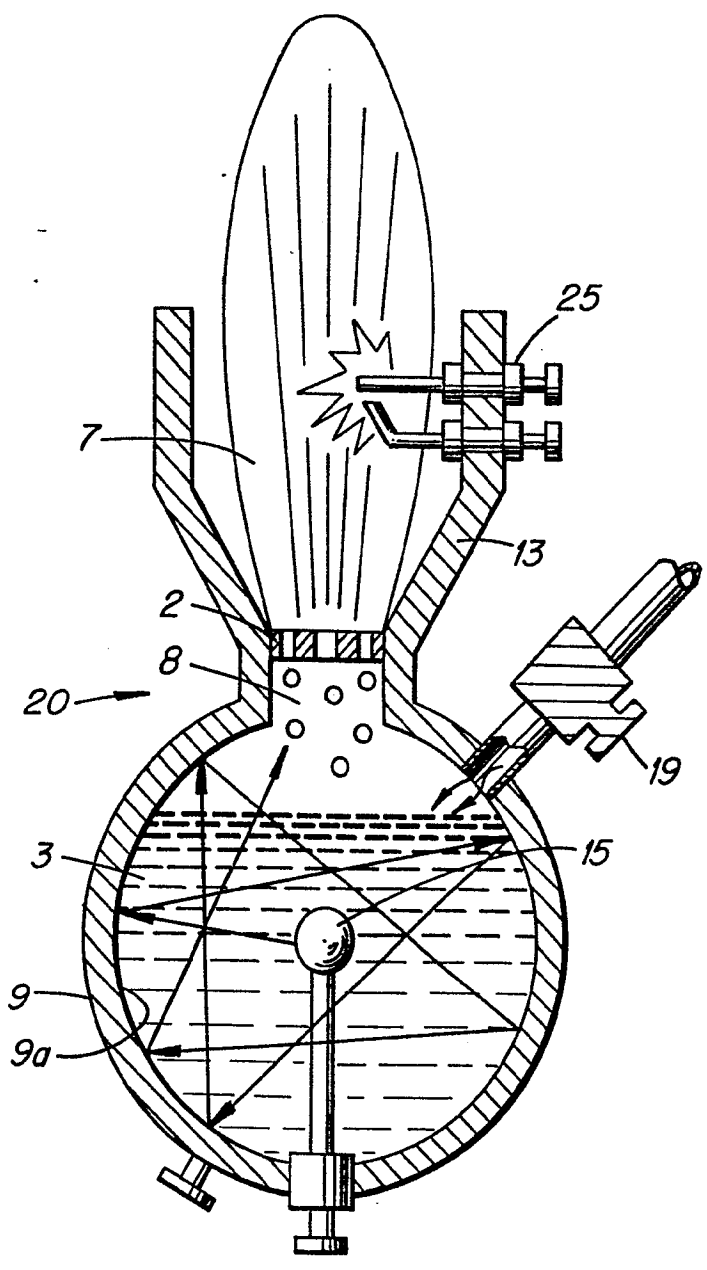




Fig. 4

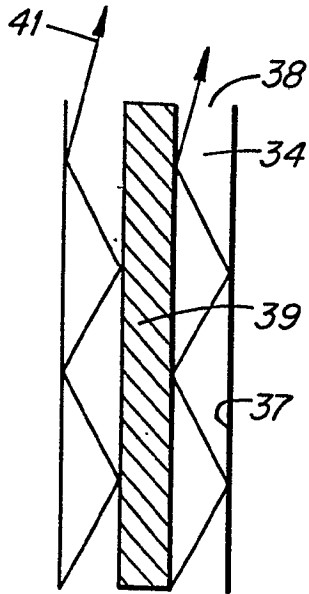
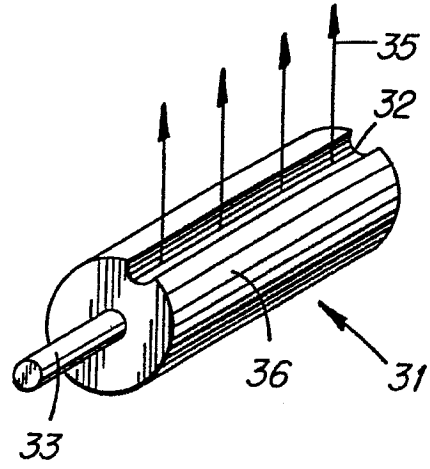


Fig. 5

Fig. 6

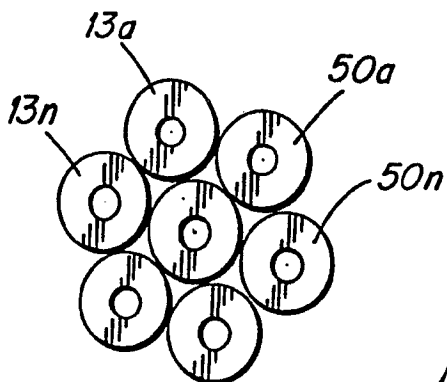
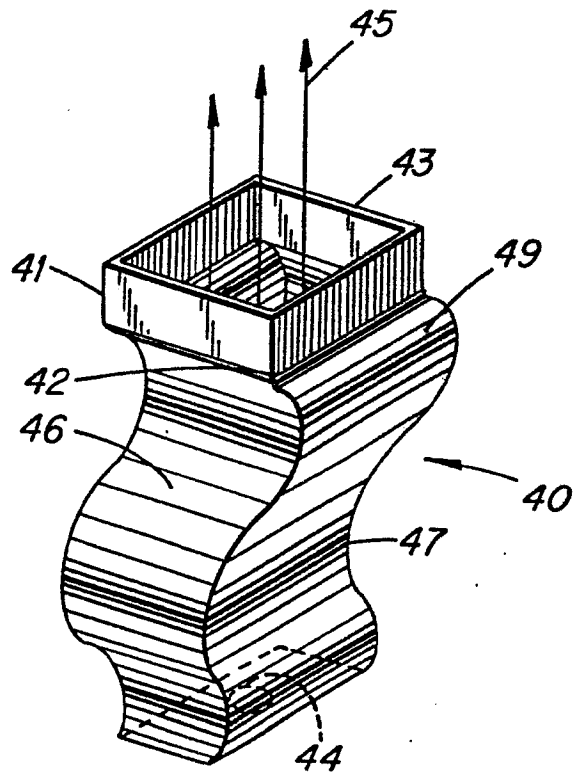


Fig. 7a

Fig. 1

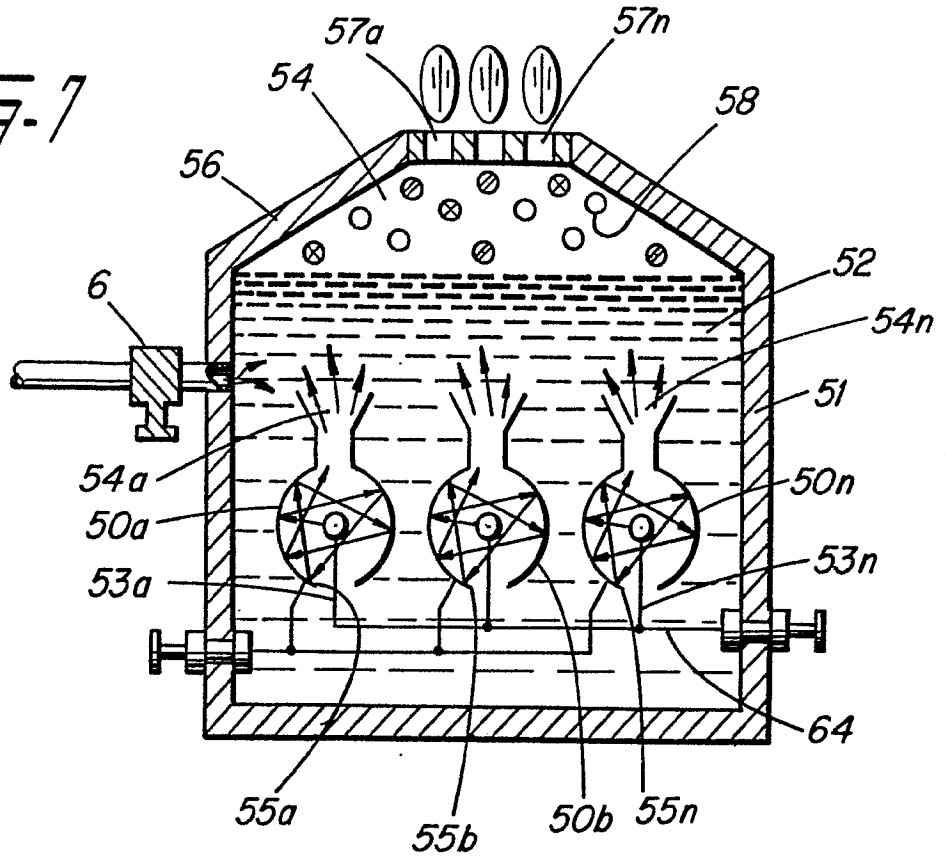


Fig. 2

